

Transporting Box for LD 90

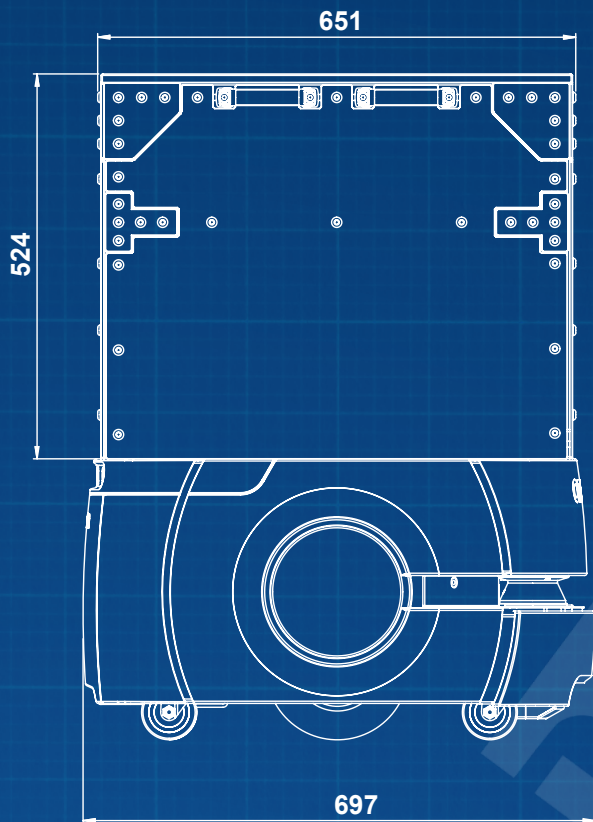
We are proud to introduce a new range of products for AGV and Mobile Robots.

Our solutions, sold with the formula "order and assemble by yourself", are supplied with everything necessary, assembly drawing and screws, to simplify and speed up the supply of modular shelving systems for different applications. We can provide customization of products with our Partners' logos. We have many designs in our catalog but we are always available to produce customized solutions.

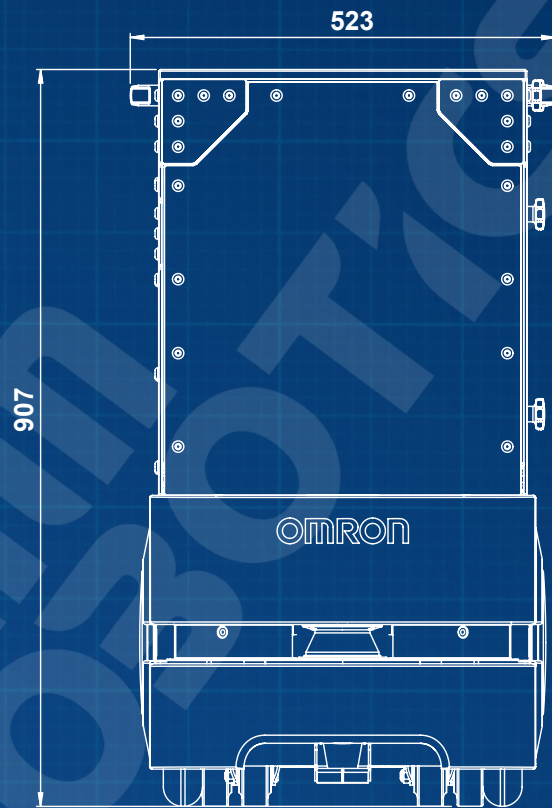
Fastening the box to Ld 60/90 trolley takes place by M6 bolts, which guarantee proper stability and reliability of fastening.

Technical data:

SIDE



FRONT



Adjust for: UR5/UR3

WARNING!

Do not use maximum ranges!
(Suggested by Omron)

Weight - 17 kg

Weight with LD 90 - 78 kg

Material:

Aluminum

Plastic

Steel

Hardwood plywood

Compatibility:

LD 90

Dimensions:

Separate / Mount on LD60/90

Height: 524 / 907 mm

Length: 651 / 697 mm

Width: 523 / 523 mm

PERSPECTIVE SIDE / FRONT

